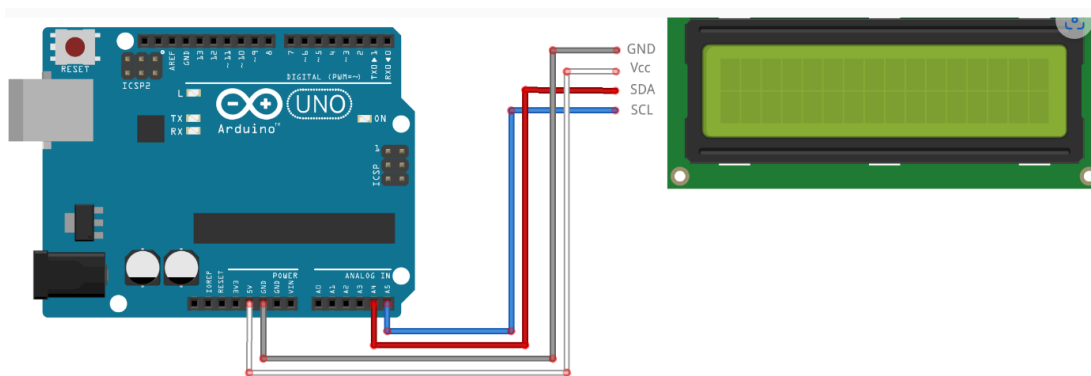


# Display

## 1602 LCD Module Display Bundle with I2C interface 2x16 Characters



## Aansluitschema



Let op: de pin configuratie verschilt per type Arduino

Uno, Ethernet	A4 (SDA), A5 (SCL)
Mega2560	20 (SDA), 21 (SCL)
Leonardo	2 (SDA), 3 (SCL)
Due	20 (SDA), 21 (SCL) of SDA1, SCL1

## Links

Arduino Lessen: <https://arduino-lessen.nl/>

EBook: <https://azde.ly/TF12MBFS>

Voorbeeld code: [Arduino-Beginners-NL/E11-I2C-LCD/i2c-lcd-deel-1.ino at master · BasOnTech/Arduino-Beginners-NL · GitHub](#)

---

Revision #7

Created 2025-03-16 10:24:12 UTC by Max

Updated 2025-03-17 22:37:53 UTC by Max